



Item #: _____

Models: H283/H282

Product Name: 60" Starfire Series
Medium Duty Gas Range

GARLAND® GAS
60" Starfire Series Medium Duty Range



Model H283

H282 Single Oven & Storage Base Model & H283 Double Oven Model

Specifications:

Gas medium duty range with full size porcelain interior oven(s), 60" (1524mm) wide. (6) open top Starfire burners with cast iron top and ring grates, 24" (610mm) manual control griddle/ broiler. Stainless steel front and two sides. Stainless steel backguard and plate shelf. Available with optional hot top(s). H282 has storage base on right. Recommended for churches, schools, cafes, and small restaurants.



Standard Features:

- Cast iron top and ring rates
- 24,000 BTU / 7.03kW, (Natural Gas) or 20,000 BTU / 5.86kW, (Propane) Starfire burners, (6)
- Stainless steel front and two sides
- Stainless steel valve panel
- Stainless steel front rail
- Stainless steel backguard and plate shelf
- 24" (610mm) wide raised griddle/broiler (right side only), actual broiler section 19" (463mm) wide
- 30,000 BTU (8.79kw) oven burner
- Standard oven(s); fully porcelain interior which includes oven bottom, top, rear, embossed sides, and inside door liner.
- Storage base in lieu of one oven; Model H282
- Removable nickel plated four position oven rack guides
- Nickel plated oven rack (one per oven)
- Heavy duty "FDO" oven thermostat (150°-500°F/ 66°-260°C range)
- 6" (152mm) Chrome steel legs with stainless steel inserts
- Gas pressure regulator
- One year limited warranty on parts & labor, (USA & Canada only)

Optional Features:

- Black porcelain top and ring grates (Change "H" in model number to "P")
- Stainless steel backguard flue riser "BG"
- Convection oven base: for (1) CO base, add suffix RC; for (2) CO bases, add suffix RC2
- Celsius temperature dials
- 12" (610mm) hot top section; 3/8" (10mm) thick, (Add suffix - 1, -2 or -3); standard on left or specify location
- Additional oven rack
- Stainless steel legs, set of (4)
- Set of (4) casters with front (2) locking

NOTE: Ranges supplied with casters must be installed with an approved restraining device.

<http://www.Garland-Group.com>

H282/H283

Garland Commercial Industries, Inc.
185 East South Street
Freeland, Pennsylvania 18224
Phone: (570) 636-1000
Fax: (570) 636-3903

Garland Commercial Ranges Ltd
1177 Kamato Road, Mississauga, Ontario
L4W 1X4 CANADA
Phone: 905-624-0260
Fax: 905-624-5669

Enodis UK LTD
Swallowfield Way, Hayes, Middlesex
UB3 1DQ ENGLAND
Telephone: 081-561-0433
Fax: 081-848-0041



Item #: _____

Models: H283/H282

Product Name: 60" Starfire Series

Medium Duty Gas Range

Input Rating Per Burner (Natural Gas)								Operating Pressure "WC/ mbar	
Open*		Hot Top**		Griddle/Broiler (3 burners)		Oven			
BTU	kW	BTU	kW	BTU	kW	BTU	kW	Natural	Propane
24,000	7.03	18,000	5.27	14,500	4.5	30,000	8.78	4.5/11.25	10/25

Gas input ratings shown for installations up to 2000 ft., (610m), above sea level. Please specify altitudes over 2000 ft.

Please specify gas type when ordering.

* Two (2) burners per 12" (610mm) section, (rated at 20,000BTU/5.86kW with Propane)

** One (1) burner per optional 12" (610mm) section, (replaces 2 open burners); add suffix: -1, -2 or -3; standard on left

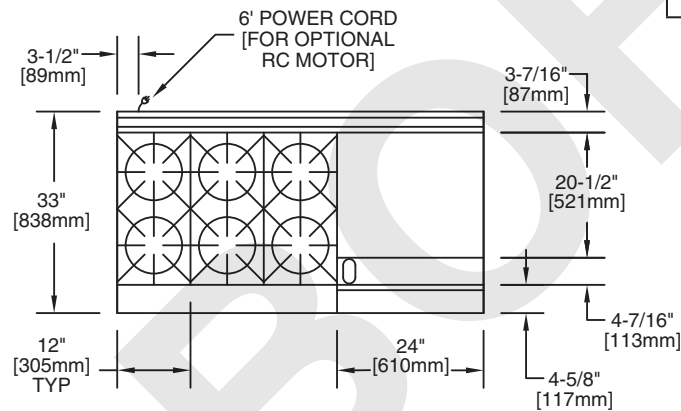
Exterior Dimensions			Oven Interior Dimensions			Installation Clearances	
Height w/shelf	Width	Depth	Height	Width	Depth	Sides	Rear
59-1/2" (1511mm)	60" (1524mm)	33" (838mm)	13-12" (343mm)	26-1/4" (667mm)	22" (559mm)	6" (152mm)	6" (152mm)

NOTE: Installation clearance reductions are applicable only where local codes permit

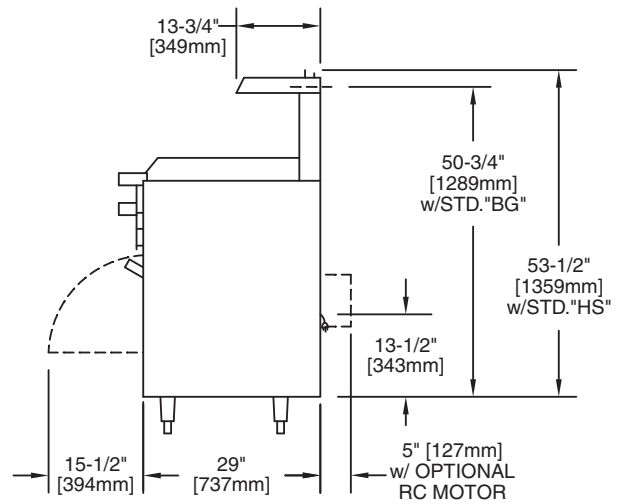
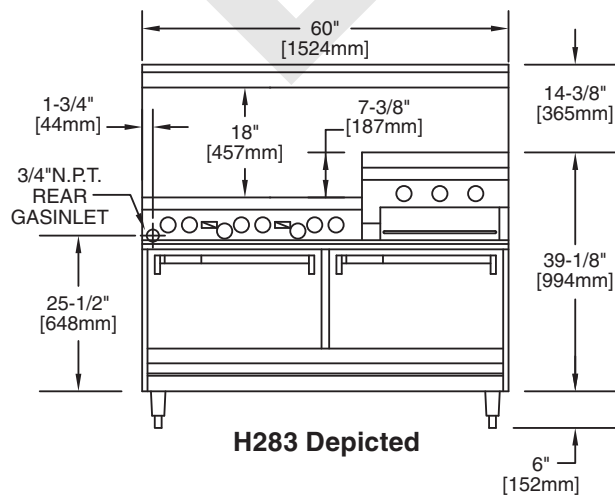
This product is not approved for residential use.

MODEL H283	Shipping Wt*		Entry Clearances	
	Lbs.	Kg	Crated	Uncrated
STD	885	402	46" (1168mm)	34 (864mm)
RC	935	424	46" (1168mm)	39 (991mm)

*Less 75 Lb/35 Kg for Model H282 STD and RC



Installation notes: For RC oven add 5" (127mm) to overall depth. Electric characteristics each RC oven: 1/3 HP motor; 120VAC, Single phase, 3.4 Amps (RC2 Model - 6.8 Amps), (6 Ft/1829mm power supply cord provided).



Continuous product improvement is a Garland policy.